



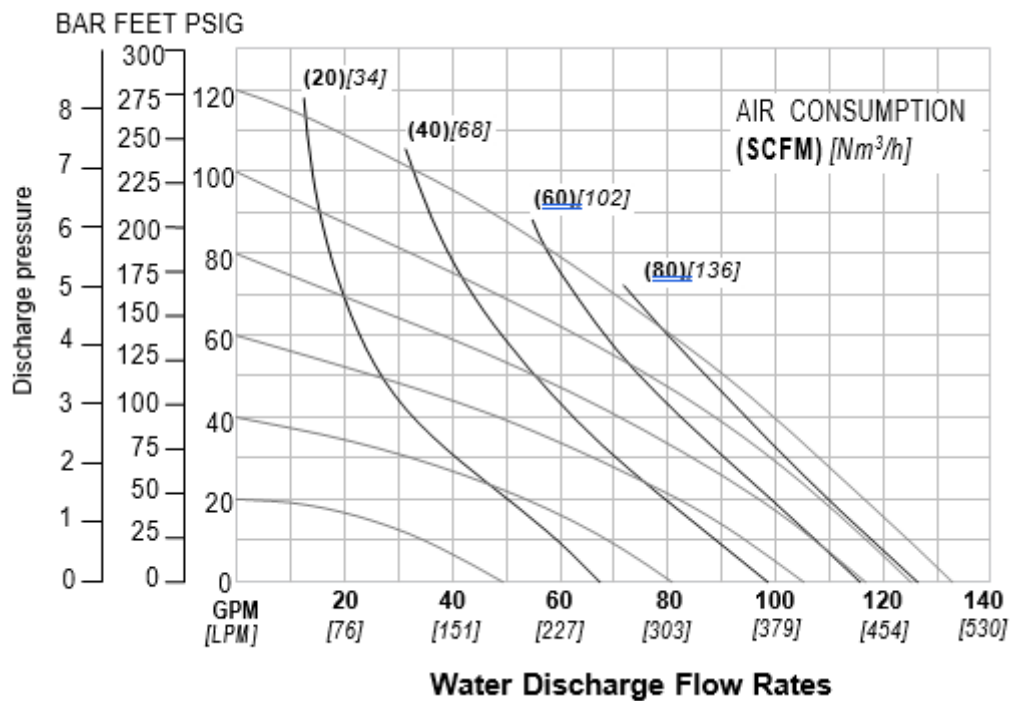
# AIR OPERATED DOUBLE DIAPHRAGM PUMP

## SECTION 1 – NOMENCLATURE

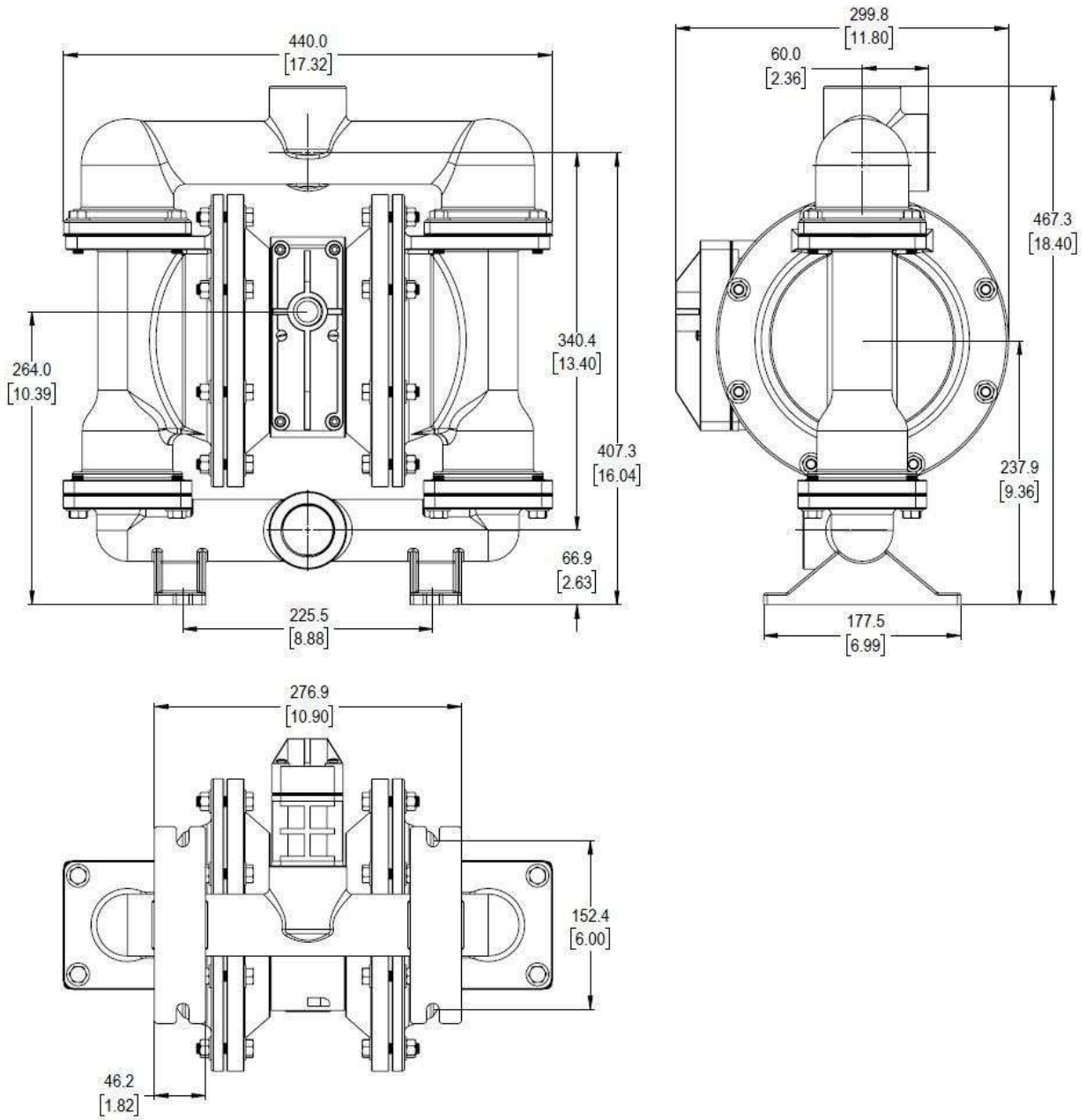
<b>Max Flow rate</b>	: 270Lpm
<b>Port Size</b>	: Inlet : 38.10mm (1 1/2" BSP) Discharge : 38.10mm (1 1/2" BSP) Air Inlet : 1/2" BSP Air Exhaust : 12.70mm (1/2" BSP)
<b>Suction Lift</b>	: Dry : 4.57m (15') Wet : 7.62m (25')
<b>Teflon</b>	: Dry : 3.05m (10') Wet : 6.09m (20')
<b>Max Particle Size (Dia)</b>	: 4.76mm (0.188")
<b>Diaphragm</b>	: Teflon, <u>Santoprene</u> , Buna



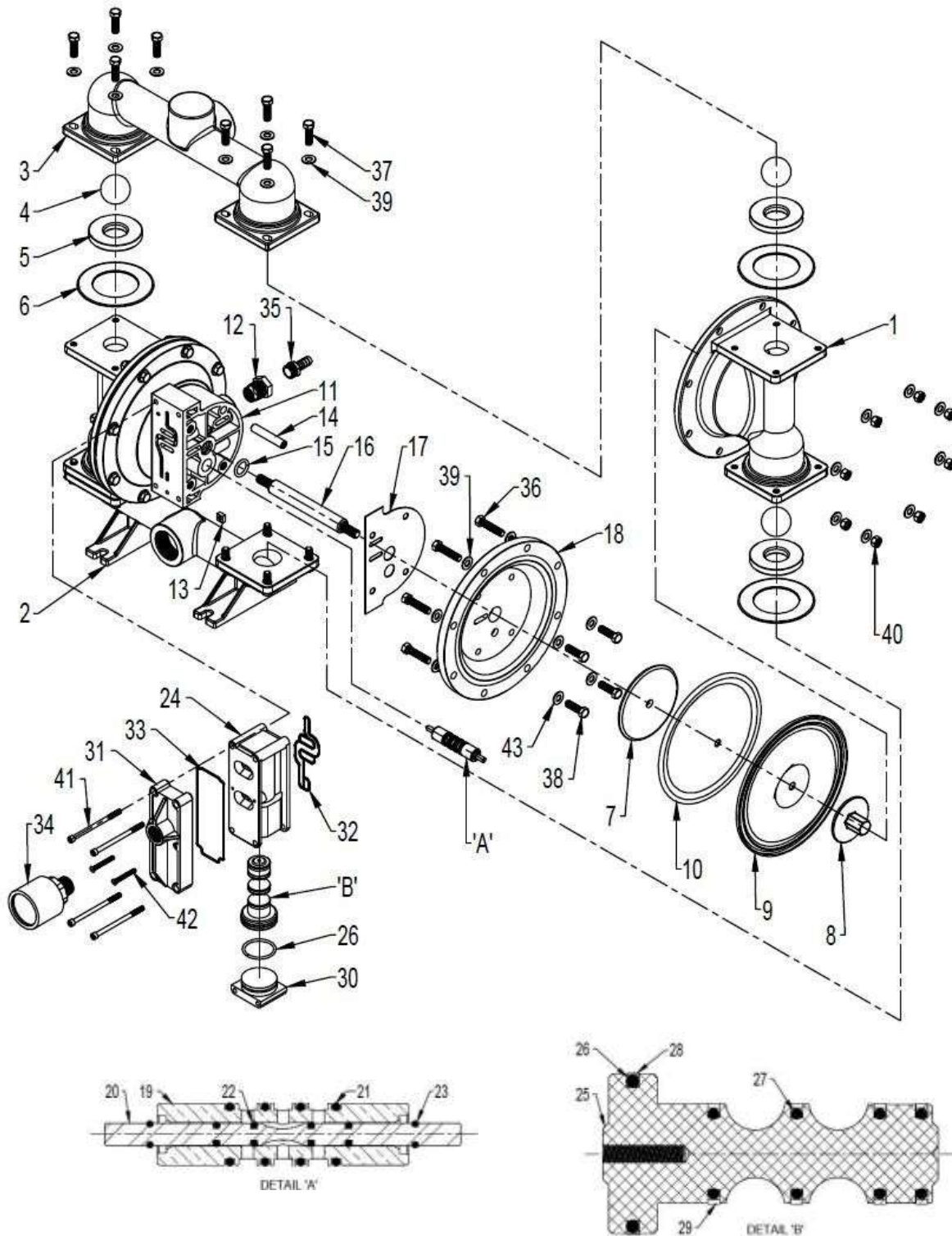
## SECTION 2 – FLOW CURVES



### SECTION 3 – DIMENSIONS DRAWING



### SECTION 4 – PUMP VIEW



## SECTION 5 – SPARE PART LIST

SR No.	DISCRIPTION	PART No	QTY
1	LIQUID CHAMBER	40-1001-03	2
2	SUCTION MANIFOLD	40-1021-03	1
3	DISCHARGE MANIFOLD	40-1031-03	1
4	NRV BALL	40-1041-55	4
5	BALL SEAT	40-1075-03	4
6	SEAT ENVELOP GASKET	50-3301-55	4
7	HOLDING PLATE	40-1111-61	2
8	LOCK NUT	40-1132-03	2
9	DIAPHRAGM	40-2001-55	2
10	BACK UP DIAPHRAGM	40-2101-65	2
11	CENTER BLOCK	40-1301-23	1
12	REDUCER	40-1376-21	1
13	CENTER BLOCK PATTI	40-1319-03	4
14	CENTER BLOCK PIPE	40-1318-03	4
15	CENTER BLOCK O RING	40-3155-56	4
16	MAIN SHAFT	40-1341-03	1
17	AIR COVER GASKET	40-3311-51	2
18	AIR COVER	40-1403-01	2
19	PILOT BUSH	40-1471-07	1
20	PILOT SHAFT	40-1451-03	1
21	PILOT BUSH O RING	40-3161-51	4
22	PILOT SHAFT O RING	15-3176-56	4
23	PILOT SHAFT LOCK O RING	40-3181-51	2





SR No.	DISCRIPTION	PART No	QTY
24	PISTON BLOCK	40-1501-20	1
25	PISTON	40-1521-69	1
26	PISTON/CAP O RING BIG	40-3201-51	2
27	PISTON O RING SMALL	40-3222-51	4
28	PISTON RING BIG	40-3241-68	1
29	PISTON RING SMALL	40-3246-68	4
30	PISTON BLOCK CAP	40-1571-20	1
31	PISTON BLOCK COVER	40-1561-20	1
32	PISTON BLOCK GASKET	40-3321-51	1
33	PISTON BLOCK COVER GASKET	40-3331-51	1
34	EXHAUST	40-1366-23	1
35	AIR NIPPLE	50-1371-07	1
36	3/8" X 1 1/4" HEX BOLTS SS (CHAMBER BOLT)	04-6018-03	16
37	3/8" X 1 1/4" HEX BOLTS SS (SUC/DIS)	04-6016-03	16
38	3/8" X 1 1/4" HEX BOLTS SS (AIR COVER)	04-6016-03	8
39	3/8 X 20.7 X 1.5 MM SS WASHER (CHAMBER)	04-6210-03	48
40	3/8 MS HEX NUT	04-6304-61	16
41	1/4" X 4" ALLEN BOLTS MS (P B)	04-6005-61	4
42	P B SCREW MS	04-6321-61	2
43	3/8 X 3 MM SS WASHER (AIR COVER)	04-6206-03	8